

**This product is ideal for felling trees and shrubs, preparing lumber, and splitting logs.**

### Before Use

We thank you very much for your purchase of this Machete. Please read this instruction carefully before starting of use.

### Indication of basic mark

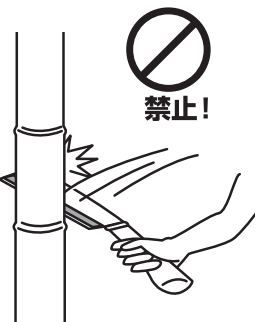
**警告!** Warning    **禁止!** Prohibition    **嚴守!** Adherence

#### **警告!** To avoid an injury and product damage

- Don't touch it barehanded.
- Don't carry it having a blade part.
- Don't swing it around.
- Don't put it near fire.
- Keep it away from children.
- Do not use this product to cut metal.



● Please refrain from horizontally striking vertically rigid objects like bamboo. There is a danger the machete might snap back, causing injury or damage to the blade.



### Preparations before the use

Before use, check that the blade is clean and the handle is not loose or broken.

### Start of Using

This machete is ideal for splitting, cutting, and shaving down wood. Note failure to use this product properly can result in injury and/or damage to the product.

### Basic Usage

#### (1) Splitting (Recommendations for double-edged blades)

When cutting wood, etc., put your target on top of a wooden chopping block. (This will prevent injury and/or damage to the product in the even that you miss and strike the ground). (fig.1) If the wood does not split smoothly, use a wooden mallet to strike the back of the blade. (fig.2)

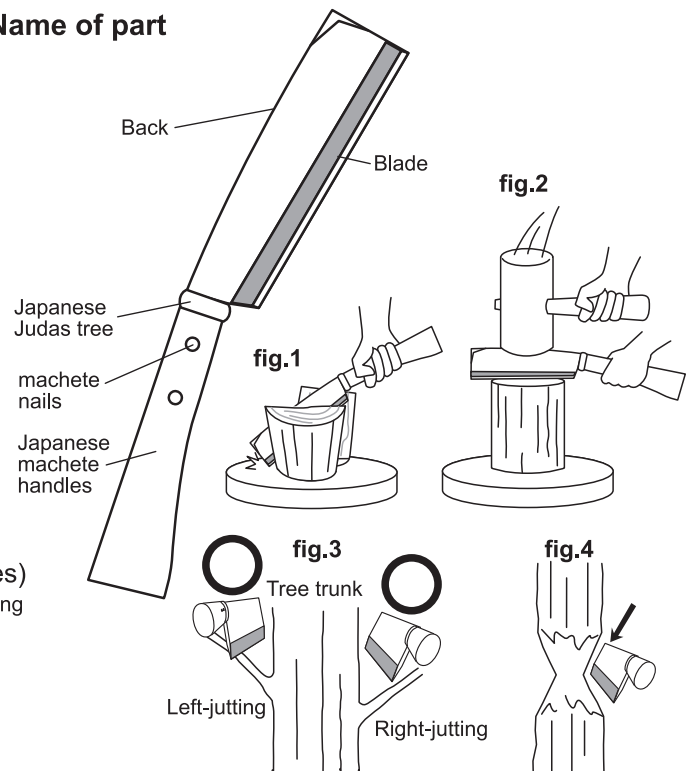
#### (2) Cutting (Pruning, etc.)

Left-handed people can use this blade. When pruning with a double-edged blade, it doesn't matter whether the branches face left or right (as it does with a single-edged blade), since there is no risk of the blade becoming wedged in the tree trunk. (fig.3)

#### (3) Planing & Shaving (Recommendations for single-edged blades)

When planing lumber or shaving down logs, you will get the best cut by aligning the blade diagonally with the grain of the wood. (fig.4)

### Name of part



**(1) To avoid injury and damage of the machete, don't twist or pry it, don't cut forcibly, don't cut the metals.**

### Maintenance

- (1) After use, wipe off water and dirt stuck to blade and handle with cloth.
- (2) After cleaning, put anti-rust oil on the blade.



### One-point advice

After use, please apply rust prevention oil or machine oil periodically to prevent rust.



Don't use thinner or benzene



### Specifications

Name: Traditional Japanese machete with sheath  
Model No. C-11, C-14, C-111, C-141  
Full length: C-11 350mm C-14 365mm  
C-111 345mm C-141 360mm  
Handle size: C-11 180mm C-14 180mm  
C-111 175mm C-141 175mm  
Blade size: C-11 165mm C-14 180mm  
C-111 165mm C-141 180mm  
Weight: C-11 600g C-14 620g  
C-111 520g C-141 550g  
Application: For pruning, planing, and splitting.  
Materials: Blade: Cutlery Steel (Carbon Steel)  
Handle: Oak